

Smart equipment for wastewater treatment and environmental water monitoring. The accurate continuous ammonium measurement for superior water-quality monitoring with high performance and reliability.

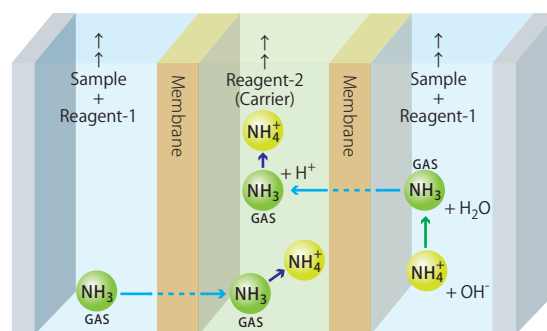
FEATURES

- The zero and the span are stable for long period. Zero drift free, by auto-zero adjustment for every measuring cycle.
- Self-cleaning function removes dirt and pollution in the sampling lines.
- Membrane concentration method* and conductometry allows "linear" detection with high-accuracy.
- The interference materials in sample water can be removed by the gas penetration membrane.
- The reliability is assured by the auto-span check function with standard solution.
- Instrument has a telemeter terminal board as standard equipment, for output measuring value and controlling signal.
- Internal memory can store the data for 1 year. You can download the data via Ethernet, USB 1.1 and RS-232C.
- Easy operation by the Interactive operation using a touchable color-LCD display.



SPECIFICATIONS

Model	WNH-7030
Application for	Ammonia nitrogen in wastewater/environmental-water
Method	Membrane concentration method* and conductometry
Range	0 - 10 mg/L (Standard) Selectable between (0 - 1mg/L) and (0 - 100mg/L)
Accuracy	within ±5% F.S.
Measuring cycle	30 min. or 60 min. (Actual measurement: 20 min.)
Analog out	DC 0 - 1V
Digital I/O	Ethernet, USB1.1, RS-232C
Power	AC100±10V 50/60Hz
Wattage	Typ. 100VA (Max. 200VA)
Size	approx. W564×D450×H1600 mm
Weight	approx. 70 kg (Main Body)



***Membrane Concentration Method**

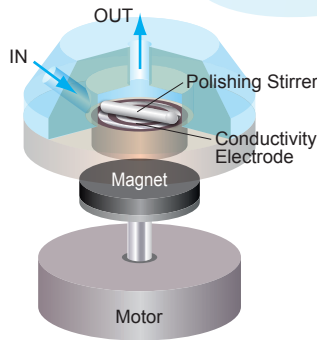
First, ammonia gas is volatilized from ammonium ions in the sample. Ammonia is absorbed and concentrated to the carrier solution via membrane. This method enables selective separation of ammonium as all interfering substances are removed.

Superiority of Conductometry

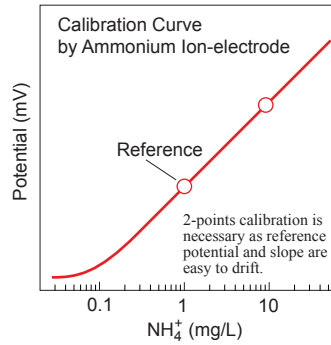
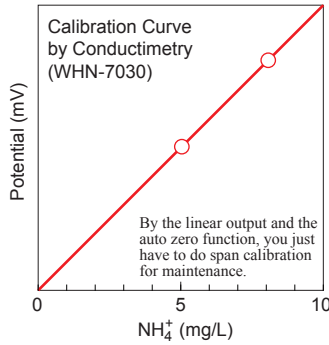
Ammonium ion concentration can be measured by the conductivity changes of the carrier solution. And it enables good linear compared with the ammonium ion-electrode method to measure pH changes.

MS type conductivity electrode:
Polishing stirrer makes the smooth contact of the sample water to the electrode and keeps the surface of the electrode in the best condition.

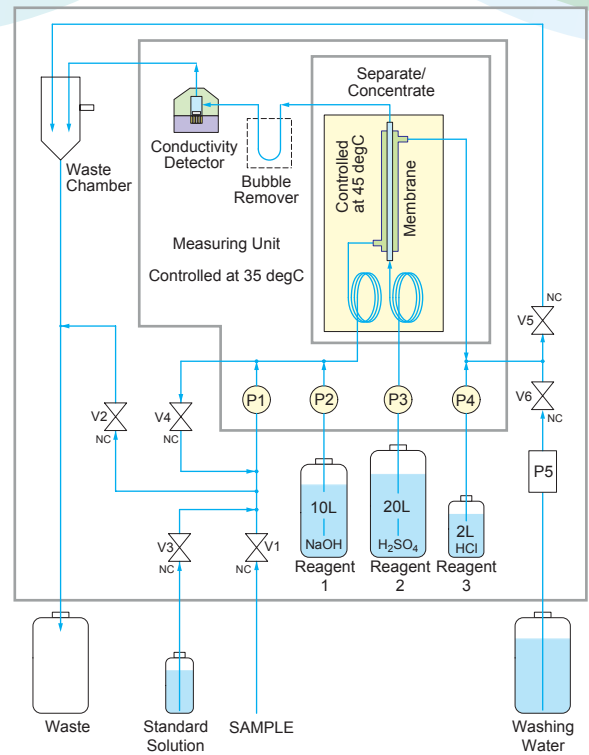
MS Type Conductivity Electrode



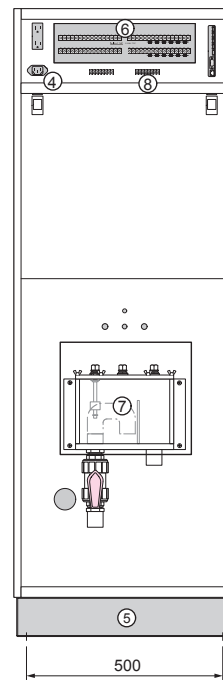
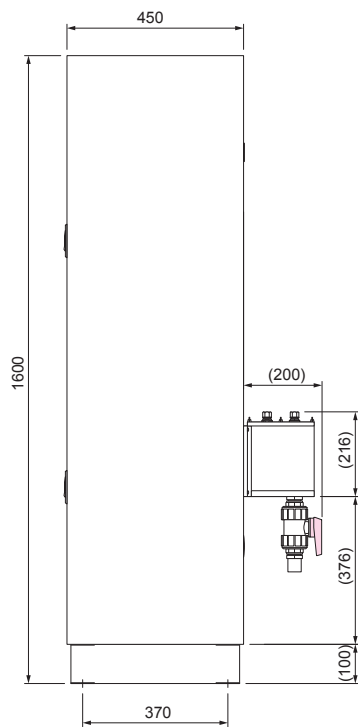
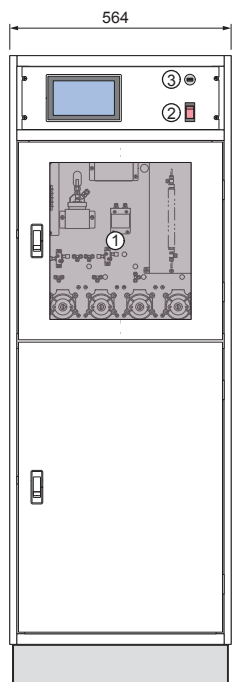
Comparison between Conductometry and Ion-electrode method



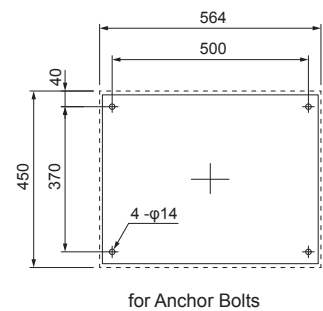
Flow Diagram



Schematic View



- ① Analyzing Unit
 - ② Power Switch
 - ③ USB Port
 - ④ AC Power Input
 - ⑤ Base
 - ⑥ Telemeter Terminal Board
 - ⑦ Sample Water Reservoir*
 - ⑧ Terminal for 4-20mA*
- *Optional



SAFETY CONCERNS

Please read instructions carefully before using. All the safety and operation instructions should also be read before the appliance is operated. The appliance should be situated so that its location or position does not interfere with its proper ventilation. Precautions should be taken so that the grounding or polarization means of an appliance is not defeated. The appliance should not be used near water (e.g. near bathtub, washbowl, kitchen sink, laundry tub, in a wet basement, or near a swimming pool etc.).

For inquiries or information...



KIMOTO ELECTRIC CO., LTD.

3-1 FUNAHASHI-CHO TENNOJI-KU OSAKA 543-0024, JAPAN
 TEL +81-6-6768-3401 FAX +81-6-6764-7040
 E-Mail sales@kimoto-electric.co.jp
 Web Site http://www.kimoto-electric.co.jp/